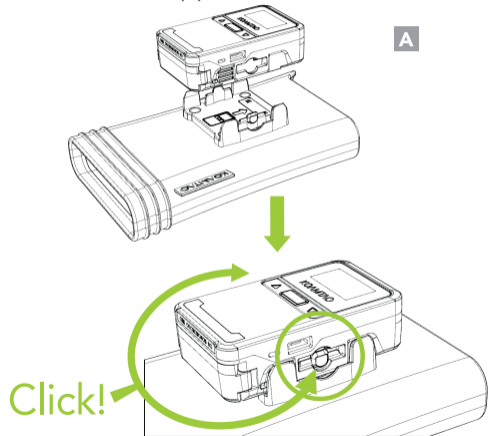
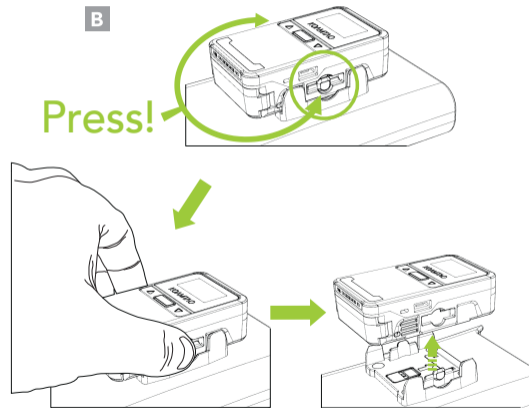


Assembly Instructions

1. Insert the KDC180 into the Safety Glove base until both sides click. (A)



2. To remove the KDC180 from the Safety Glove, pull up while pressing the buttons on both sides of the Safety Glove base. (B)



Additional Accessories

- ▶ Ring Trigger
- ▶ Micro USB Cable
- ▶ 2-Slot and 10-Slot Charging Cradles
- ▶ KBLED41 BLE Dongle
- ▶ Protective Rubber Boot

KDC180 Models

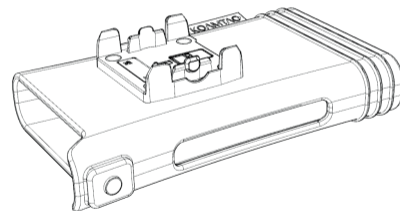
- ▶ KDC180U Wearable 0.5W UHF Reader
- ▶ KDC180H 2D Imager
- ▶ KDC180H 2D Imager with Keypad
- ▶ KDC180H 2D Imager with Inductive Charging
- ▶ KDC180H 2D Imager with 0.5W UHF Reader

KOAMTAC

116 Village Blvd, Ste 305, Princeton, NJ 08540
+1 609-256-4700 p | +1 609-228-4373 f
info@koamtac.com | www.koamtac.com

KOAMTAC

KDC180 Safety Glove Manual



*KDC180 Inductive / Keypad / 0.5W UHF Models are assembled the same way.